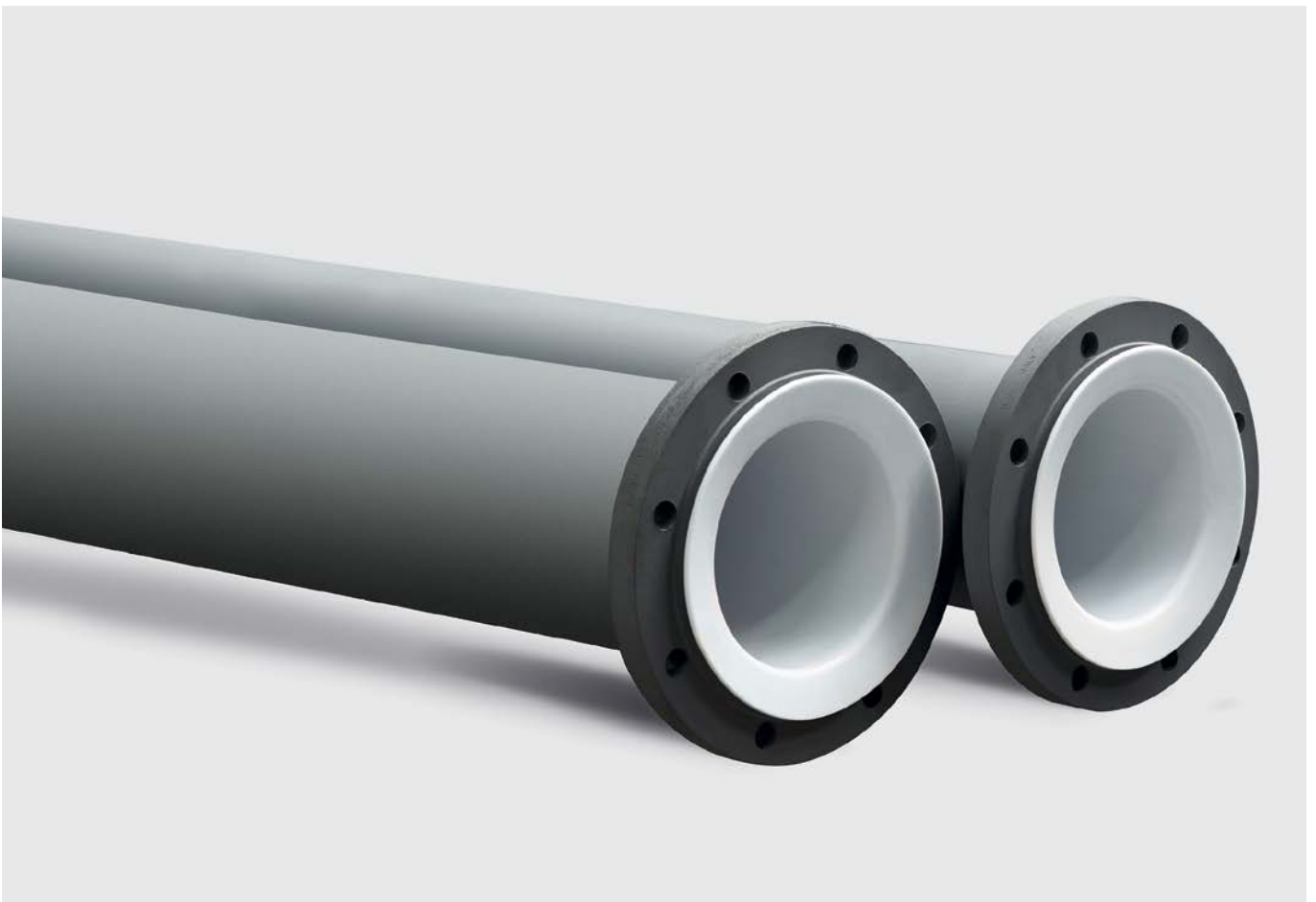




POLYFLURON® PTFE lined steel pipes and fittings DIN



Lined pipe classes

Based on over 60 years of experience with paste-extruded PTFE and more than 1000 reference customers, we supply a comprehensive range of POLYFLURON lined piping systems, mainly for the transport of corrosive media.

The following pages provide information on available products, dimensions and design options, as well as the materials used and permitted operating conditions.

This brochure deals exclusively with pipes & fittings up to a diameter of DN 600. Larger dimensions up to DN 3000 for columns and vessels are covered by a separate brochure, which is available on request.

We offer our lined piping products in two different liner thickness classes.

- **Standard**

Corrosion resistant and permeation reducing lining for aggressive media processed at moderate pressures and temperatures. This product series meets the standards of the chemical industry for paste extruded PTFE linings.

- **Heavy duty**

Suitable for long term operation with highly permeable media processed at high pressures and temperatures.

From our many years experience, we recommend the use of standardized pipe lengths. These reduce inventory costs and allow greater flexibility in assembly.

Our product range includes pipes of the following dimensions:

Nominal diameters: from DN 25 to DN 600

Lengths: larger diameters available upon request
from 100 mm up to 6100 mm,
depending on the nominal diameter

Technical specifications

POLYFLURON PTFE is a virginal paste extruded PTFE exhibiting exceptional thermal, chemical, mechanical and electrical properties.

Exceptional properties

- Nearly universal chemical resistance and insolubility
- High operating temperatures up to 260 °C
- Flexibility to - 79 °C
- High flexural fatigue resistance, nearly no material fatigue
- No aging by heat or UV radiation
- Exceptional electric insulator
- Very high purity (free of migrating additives or monomers), non-toxic
- Anti-adhesive surface, low coefficient of friction/wear, self-cleaning
- Excellent dimensional stability – no water absorption, no swelling
- Non-flammable

Pipes/Fittings

Material code	Standard	Material number
P235TR2	DIN EN 10216-1	1.0254
P235GH	DIN EN 10216-2	1.0305
P265GH	DIN EN 10028-1 + 2	1.0425
GP240GH	DIN EN 10213-2	1.0619

Subject to technical changes.

The standards given below are EN/DIN standards. If you require pipes and fittings according to ANSI standards, please refer to our respective ANSI brochure.

Field of use

- Pressure load: DN 25 to DN 150 – up to 40 bar (PN 40);
DN 150 to DN 600 – up to 25 bar (PN 25)
- Vacuum: Full vacuum [-1 barg] for all dimensions up to DN 100 and 150 °C. Vacuum-resistant versions for larger dimensions and higher temperatures on request.
- Lining: Virginal paste-extruded PTFE] meeting DIN 2874.
- Temperatures: - 10 ° up to + 230 °C;
lower service temperatures can be accommodated with the use of special steel materials.

Options

- Antistatic (electrically conductive) liner
- Stainless steel and low temperature steel
- Venting nozzles
- Grounding bolts and connections
- Custom shapes
- Special paint coatings

Stainless steel materials are available on request.

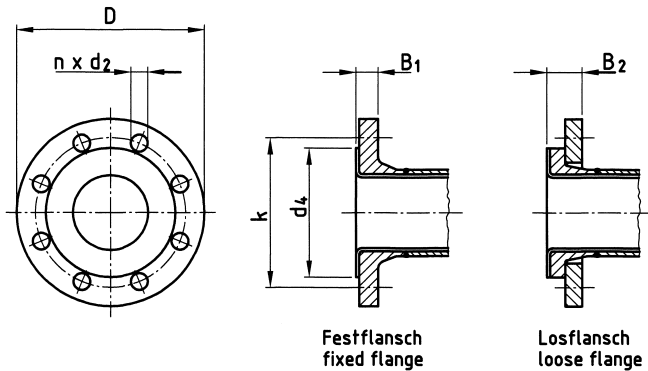
Flanges

Material code	Standard	Material number
S235JR G2	DIN EN 10025	
P250GH	DIN EN 1092-1	1.0038
P355NL1	DIN EN 10273	1.0460
	DIN EN 10028-3	1.0566

Subject to technical changes.

Pipe dimensions

The following table gives the standard wall thicknesses of steel pipes meeting DIN EN 10220.



Pipe dimensions

DN	Steel pipe	DN	Steel pipe
[mm]	Outside \varnothing x wall thickness [mm]	[mm]	Outside \varnothing x wall thickness [mm]
25	33.7 x 2.6	150	168.3 x 4.5
32	42.4 x 2.6	200	219.1 x 6.3
40	48.3 x 2.6	250	273 x 6.3
50	60.3 x 2.9	300	323.9 x 7.1
65	76.1 x 2.9	350	355.6 x 8
80	88.9 x 3.2	400	406.4 x 8.8
100	114.3 x 3.6	500	508 x 11
125	139.7 x 4	600	610 x 12.5

Subject to technical changes.

Flange dimensions

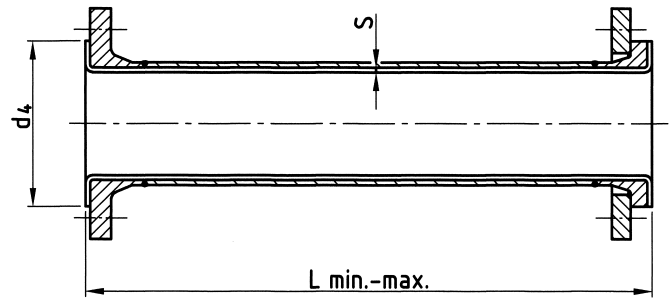
DN	Flange \varnothing	Seal. surface	Bolt circle \varnothing	Bolt holes	Flange thickness incl. collar	
[mm]	D [mm]	d4 [mm]	k [mm]	n x [Number]	d2 [mm]	B1 [mm] B2 [mm]
25	115	68	85	4	14	19 31
32	140	78	100	4	18	19 31
40	150	88	110	4	18	19 31
50	165	102	125	4	18	21 33
65	185	122	145	4	18	22 34
80	200	138	160	8	18	24 38
100	220	158	180	8	18	25 39
125	250	188	210	8	18	27 41
150	285	212	240	8	22	27 41
200	340	268	295	8	22	29 45
250	395	320	350	12	22	31 49
300	445	370	400	12	22	32 54
350	505	430	460	16	22	32 56
400	565	482	515	16	26	32 62
500	670	585	620	20	26	34 70
600	780	685	725	20	30	34 76

Subject to technical changes.

POLYFLURON® PTFE lined pipes

The standardized diameters and lengths of POLYFLURON PTFE lined steel pipes are given in DIN standard 2848.

We can supply all items listed in this standard. For larger diameters up to DN 2500, please refer to our separate brochure entitled "Columns and Vessels".



Lined pipes

DN	L min	L max	Lining wall thickness		PTFE Flange ϕ d4 [mm]	Weight fix/loose	
			Standard [mm]	Heavy Duty [mm]		Lined pipe [kg/m]	Flange [kg]
25	100	6000	3		68	2.6	2.5
	100	6000		4	68		
32	100	6000	3		78	3.3	3.6
	100	6000		4	78		
40	100	6000	3		88	3.9	4.2
	100	6000		4	88		
50	100	6000	3		102	5.4	5.3
	100	6000		4	102		
65	100	6000	3.5		122	6.9	6.4
	100	6000		4	122		
80	110	6000	3.5		138	9	8.2
	110	6000		4	138		
100	110	6000	4.5		158	13	9
	110	6000		5	158		
125	110	6000	4.5		188	16.4	13
	110	6000		6	188		
150	120	6000	5		212	23.5	16
	120	6000		6	212		
200	130	6000	5		268	41	23.2
	130	6000		8	268		
250	130	4000	5		320	51.5	31
	130	4000		8	320		
300	150	3500	5.5		380	68.5	38.4
	150	3500		8	370		
350	150	3500	5.5		430	82	51.2
	150	2500		8	430		
400	200	2500	5.5		482	102	65.2
	200	2500		8	482		
500	200	2200	6		585	158	90
	200	2200		8	585		
600	250	1800	6		685	210	116
	250	1600		8	685		

Subject to technical changes.

POLYFLURON® PTFE lined elbows

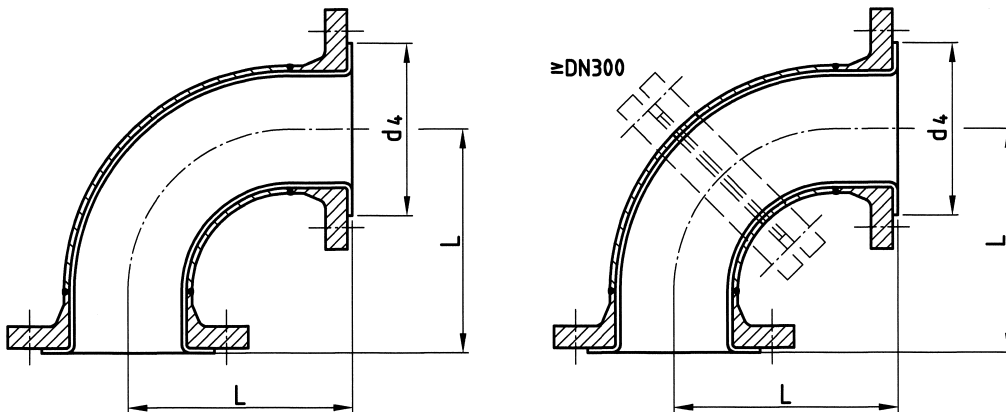
Elbows are manufactured with angles of 90°, 60°, 45° or 30°. Other angles are available on request. Please ask us for more information. 90° elbows are supplied with one fixed and one loose flange as standard. All 45° elbows come

with fixed flanges. Alternatives are available on request. Products up to DN 250 diam. are manufactured in one part. Items of DN 300 diam. or above come in two parts.

Lined elbows

DN	L		PTFE		Weight	
	90° elbow [mm]	45° elbow [mm]	S [mm]	d4 [mm]	90° elbow [approx. kg]	45° elbow [approx. kg]
25	110	70	3	68	3.5	2.6
32	130	80	3	78	4.5	3.8
40	150	90	3	88	6	4.3
50	120	80	3	102	7.7	5.7
65	140	85	3.5	122	10	7
80	165	100	3.5	138	12	8.7
100	205	115	4.5	158	13	11
125	245	135	4.5	188	18	15
150	285	150	5	212	26	22
200	365	190	5	268	44	34
250	450	225	5	320	64	48
300	525	260	5.5	370	128	82
350	600	290	5.5	430	177	105
400	680	325	5.5	482	238	174
500	830	390	6	585	385	198
600*	640	265	6	685	435	280

* not included in DIN 2848. Subject to technical changes.



POLYFLURON® PTFE and PFA lined tees and lined reducing tees

T-pieces up to DN 100 diam. are available with either of two different linings. The POLYFLURON PTFE lined variant is supplied with a high performance flange connection of well-proven design [see drawing A].

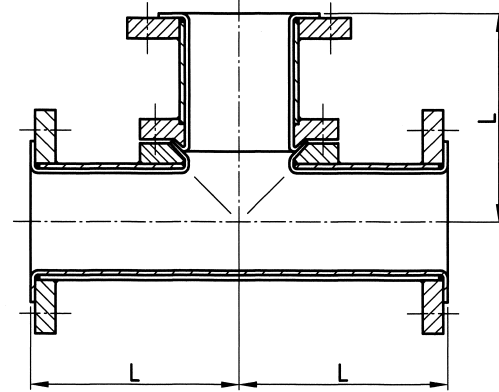
As an alternative, PFA-lined tees are available as shown on drawing B. PFA is a tetrafluorethylene-based copolymer with chemical and thermal properties comparable to those of PTFE. Fixed flanges are supplied as standard. Loose flanges are, however, also available on request.

Lined tees

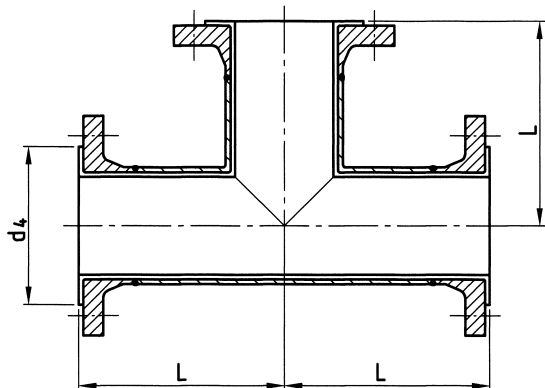
DN	L	Weight	
		PTFE [approx. kg]	PFA [approx. kg]
[mm]	[mm]		
25	110		4
32	130		6
40	150		7
50	120		10
65	140		14
80	165		16
100	205		22
125	245	38	
150	285	42	
200	365	74	
250	450	108	
300	525	150	
350	600	235	
400	680	320	
500	830	530	
600*	640	550	

* not included in DIN 2848. Subject to technical changes.

Steel pipe dimensions, lining wall thicknesses and flange diameters correspond to the standard dimensions.



↑ PTFE lined T-pieces (Drawing A)



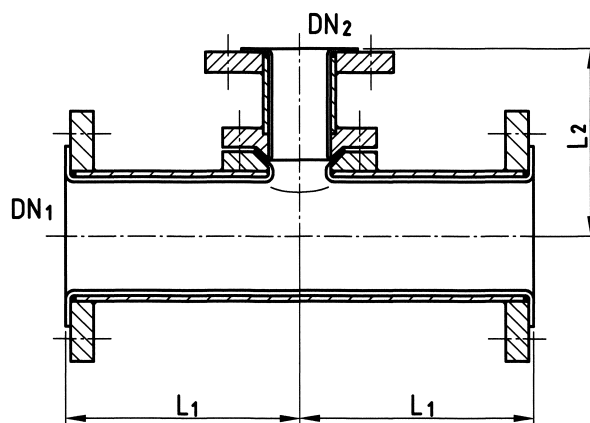
↑ PFA lined T-pieces (Drawing B)

Lined reducing tees

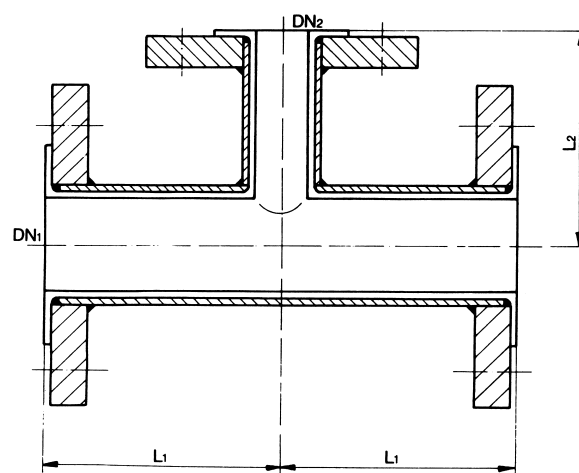
DN 1	DN 2	L 1	L 2	Weight	
[mm]	[mm]	[mm]	[mm]	PTFE lining [approx. kg]	PFA lining [approx. kg]
32	25	130	110		5.1
40	25	150	110		5.4
50	40	120	150		9.4
	25	120	110		8
65	50	140	120		12
	40	140	150		11
80	50	165	120		14
	40	165	150		13
	25	165	120**		12
100	80	205	165		19
	50	205	150*		18
	25	205	150**		17
125	100	245	205	29	
	80	245	165	28	
150	100	285	205	36	
	80	285	205*	35	
200	150	365	285	65	
	100	365	205	60	
250	200	450	365	101	
	150	450	285	92	
300	250	525	450	144	
	200	525	365	137	
	150	525	285	127	
350	300	600	525	198	
	250	600	450	183	
	200	600	365	170	
400	350	680	600	283	
	300	680	525	250	
	250	680	450	236	
500	400	830	680	455	
	350	830	600	425	
	300	830	525	392	
600*	500	640*	640*	470	
	400	640*	640*	470	
	350	640*	640*	410	

* not included in DIN 2848. ** not included in DIN standard.
Subject to technical changes.

All reducing tees are available with fixed flanges as standard. Loose flanges can also be supplied on request. PFA lined variants are also available up to DN 100. Intermediate sizes and special dimensions are supplied on request. Dimensions meet DIN 2848.



↑ PTFE lined reducing T-piece



↑ PFA lined reducing T-piece

POLYFLURON® PTFE and PFA lined crosses and lined reducing crosses

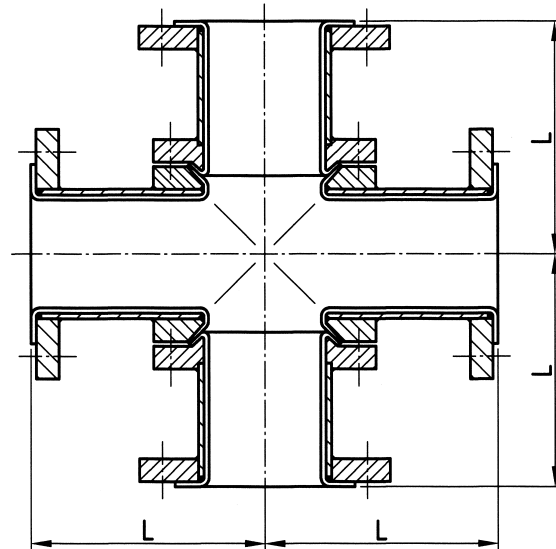
All crosses are available with fixed flanges as standard. Loose flanges can also be supplied on request. PFA lined variants are also available up to DN 100. Dimensions meet DIN 2848.

Lined crosses

DN	L	Weight	
		PTFE [approx. kg]	PFA [approx. kg]
[mm]	[mm]		
25	110		6
32	130		10
40	150		12
50	120		16
65	140		21
80	165		25
100	205		31
125	245	48	
150	285	63	
200	365	115	
250	450	162	
300	525	218	
350	600	330	
400	680	445	
500	830	720	
600*	640	733	

* not included in DIN 2848. Subject to technical changes.

Steel pipe dimensions, lining wall thicknesses and flange diameters correspond to the standard dimensions.



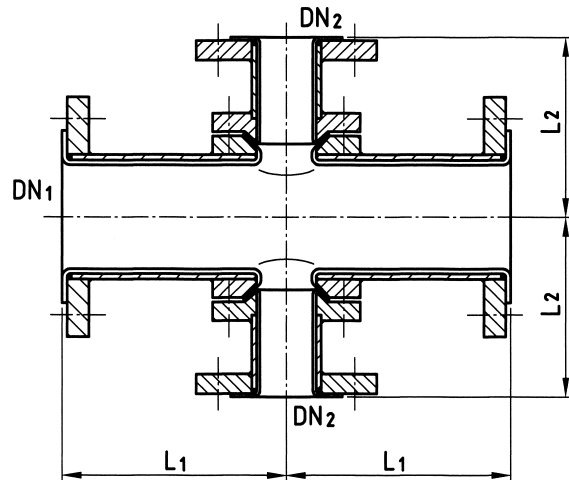
↑ PTFE lined cross

Lined reducing crosses

DN 1	DN 2	L 1	L 2	Weight	
				PTFE [approx. kg]	PFA [approx. kg]
[mm]	[mm]	[mm]	[mm]	[approx. kg]	[approx. kg]
32	25	130	110	7.2	5.8
40	25	150	110	9.1	6.2
50	40	120	150	14	11
65	25	120	110	10	10
	50	140	120	17	14
80	40	140	150	15	12
	50	165	120	21	17
	40	165	150	19	15
100	25	165	120	16	12
	80	205	165	30	22
	50	205	150	26	19
125	25	205	150	24	12
	100	245	205	40	
	80	245	165	36	
150	100	285	205	47	
	80	285	205	44	
200	150	365	285	82	
	100	365	205	72	
250	200	450	365	130	
	150	450	285	110	
300	250	525	450	179	
	200	525	365	166	
	150	525	285	147	
350	300	600	525	256	
	250	600	450	226	
	200	600	365	200	
400	350	680	600	374	
	300	680	525	307	
	250	680	450	278	
500	400	830	680	572	
	350	830	600	510	
	300	830	525	445	
600*	500	640*	640*	605	
	400	640*	640*	560	
	350	640*	640*	500	

* not included in DIN 2848. Subject to technical changes.

All crosses are available with fixed flanges as standard. Loose flanges can also be supplied on request. Dimensions meet DIN 2848.



↑ PTFE lined reducing cross

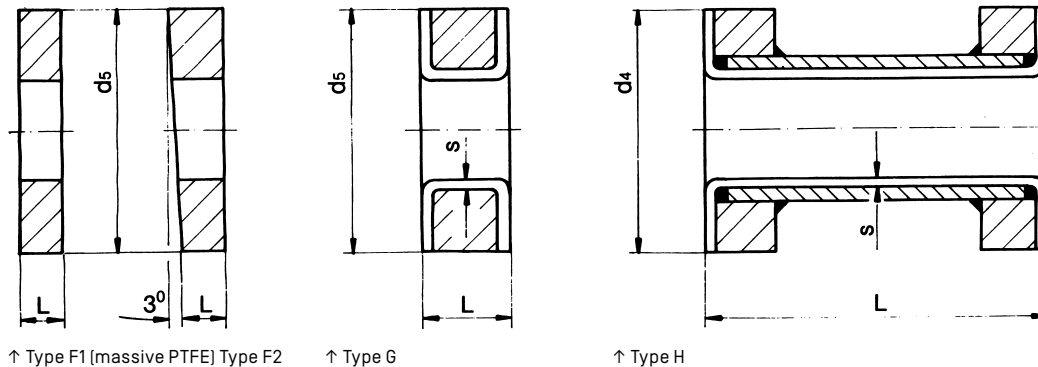
Steel pipe dimensions, lining wall thicknesses and flange diameters correspond to the standard dimensions.

POLYFLURON®

PTFE and PTFE lined spacers

Spacers are used to compensate for deviations in the assembly of pipe systems. Depending on their size, they can be manufactured either from massive PTFE or PTFE lined steel. The different designs are named Type F, G and H.

Their specific designs are shown in the illustrations below. Please refer to the table below and on the opposite page for dimensional details of the three spacer types. Nominal diameters of DN 32, DN 65 and DN 125 are also available.



Lined spacers

DN1 [mm]	Length of			s [mm]	d4 [mm]	PTFE	Weight [approx. kg]		
	Type F1/2* [mm]	Type G [mm]	Type H [mm]			d5 [mm]			
25	10					70	0.1		
			25		3	70	0.5		
			50		3	70	1.2		
40	10		75		3	68	0.7		
			25		3		92	0.1	
			50		3		92	1	
50	10		75		3		92	1.8	
			25		3			107	0.1
			50		3			107	1.4
80	10		75		3		107	2.3	
			25		3	102		142	1.6
			50		3.5			142	0.2
100	10		75		3.5		142	2.1	
			50		3.5			142	2.8
			75		3.5			138	3.6
125	10		100		3.5	138		2.8	
			25		4.5			162	3
			50		4.5			162	0.2
150	10		75		4.5		162	2.5	
			50		4.5			162	2.5
			100		4.5	158		162	5
200	10		100		4.5	158		3.5	
			25		4.5			162	3.8
			50		4.5			162	3.8

* please state F1 or F2. ** not included in DIN 2848.

Subject to technical changes.

Lined spacers

DN1 [mm]	Length of				PTFE		Weight [approx. kg]
	Type F1/2* [mm]	Type G [mm]	Type H [mm]	s [mm]	d4 [mm]	d5 [mm]	
150	10					218	0.4
		25			4.5	218	3.9
		50			4.5	218	7.2
		75			4.5	218	6
				100	4.5	212	6.5
200	10					273	0.6
		25			5	273	5.3
		50			5	273	11
		75			5	273	15
				100	3	268	9.8
250		25			5	328	7
		50			5	328	13
		75			5	328	18
			100		5	320	13
300		25			5.5	378	8.2
		50			5.5	378	15
		75			5.5	378	21
			100		5.5	370	16
350		25			5.5	438	8.5
		50			5.5	438	21
		75			5.5	438	33
			100		5.5	430	17
400		25			5.5	488	10
		50			5.5	488	23
		75			5.5	488	37
			100		5.5	482	21
500		25			5.5	594	13
		50			5.5	594	32
		75			5.5	594	50
			100		5.5	585	29
600**		25			6	696	15
		50			6	696	34
		75			6	696	55
			100		6	685	31

* please state F1 or F2. ** not included in DIN 2848.

Subject to technical changes.

POLYFLURON®

PTFE and PFA lined instrument tees

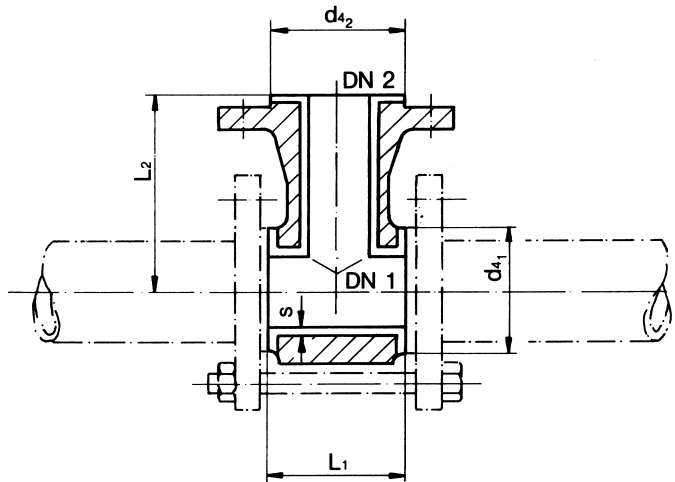
Instrument tees are used to connect manometers or thermometers, and also for sampling.

Instrument tees up to DN 250 are supplied with a PFA lining. PFA is a tetrafluoroethylene-based copolymer with chemical and thermal properties comparable to those of PTFE.

PFA lined instrument tees

DN 1	DN 2	L 1	L 2	Weight
[mm]	[mm]	[mm]	[mm]	[approx. kg]
25	25	50	90	1.9
32	25	50	100	2.8
40	40	75	11	4.4
	25	50	110	2.4
50	50	90	115	8.1
	40	75	115	6.2
	25	50	115	3.2
65	50	90	125	11
	40	75	125	9
	25	50	125	5
80	50	90	135	14
	40	75	135	8.3
	25	50	135	4.3
100	50	90	150	17.5
	40	75	150	10
	25	50	150	5.5
125	50	90	160	22
	40	75	160	14
	25	50	160	9
150	50	90	180	24
	40	75	180	15
	25	50	180	7.7
200	50	90	210	26
	40	75	210	18
	25	50	210	11
250	50	90	240	28
	40	75	240	24
	25	50	240	15

Subject to technical changes.



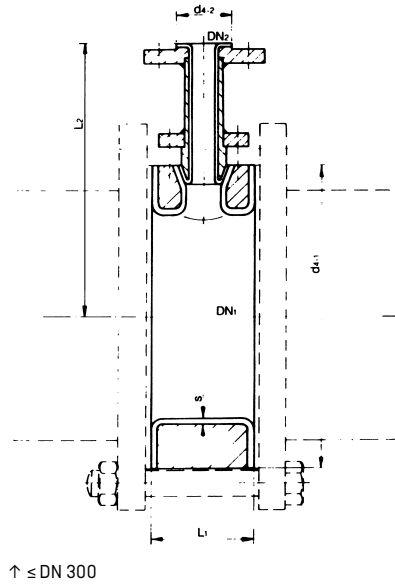
↑ ≤ DN 250

Products of DN 300 or above are available in POLYFLURON PTFE lined steel (see table and drawings below).
Dimensions meet DIN 2848.

PTFE lined instrument tees

DN 1	DN 2	L 1	L 2	Weight
[mm]	[mm]	[mm]	[mm]	[approx. kg]
300	50	120	340	30
	40	110	340	29
	25	90	340	27
350	50	120	340	44
	40	110	375	43
	25	90	375	42
400	50	120	390	44
	40	110	390	49
	25	90	375	42
500	50	120	450	66
	40	110	450	65
	25	90	450	65
600*	50	120	500	74
	40	110	500	73
	25	90	500	71

* not included in DIN 2848. Subject to technical changes.



POLYFLURON® PTFE lined reducers and lined reducing flanges

Reducers are used to reduce/enlarge the pipe diameters in order to improve liquid flow. Eccentric reducers often

allow better emptying of pipe systems. Dimensions meet DIN 2848.

Lined reducers

DN 1	DN 2	L	Lining	Weight
[mm]	[mm]	[mm]	^s [mm]	[approx. kg]
25	20	125	3	2.5
40	25	145	3	3.4
50	25	160	3 - 4*	4.2
	40	165	3.5	4.9
80****	25	180	3 - 4*	6
	40	185	3 - 4*	7
	50	190	4	7.5
	65	190	3.5	8
100	50	200	3 - 4*	9.7
	65	200	5	10.5
	80	205	4.5	11
150	80	250	4 - 5*	18
	100	250	5	19
200	100	270	5**	24
	150	270	5	26
250	150	305	4.5	33
	200	310	5	38
300	150	330	6 - 8**	47
	200	335	6 - 8	50
	250	340	5.5	54
350	200	465	6 - 8**	60
	250	465	6 - 8**	63
	300	465	5.5	66
400	250	495	6 - 8**	78
	300	495	5.5**	81
	350	495	5.5	87
500	300	650	6 - 8**	129
	350	650	6 - 8**	135
	400	650	6 - 8**	140
600****	350	750	6 - 8***	145
	400	750	6 - 8**	150
	500	750	6 - 8	160

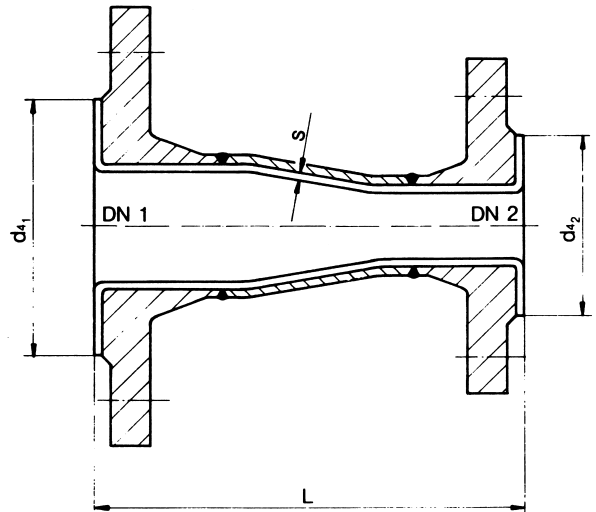
* isostatic PTFE or PFA lining.

** two-part paste-extruded PTFE lining.

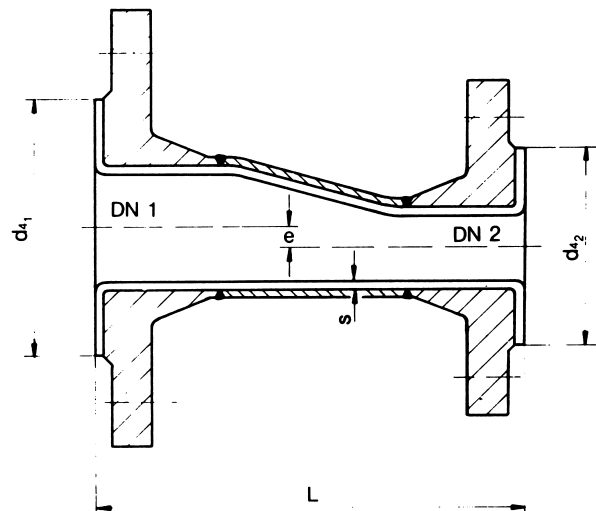
*** three-part paste-extruded PTFE lining

**** not included in DIN 2848

Subject to technical changes.



↑ Type K



↑ Type E

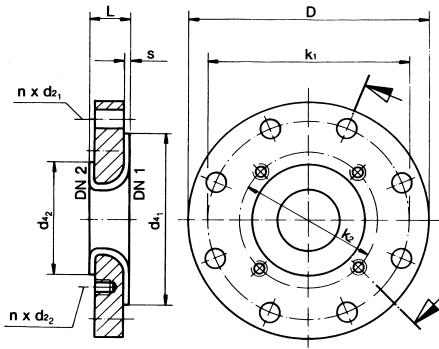
Single-part paste-extruded PTFE lining

Reducing flanges are provided with holes as shown below (smaller diameter flanges are always threaded):

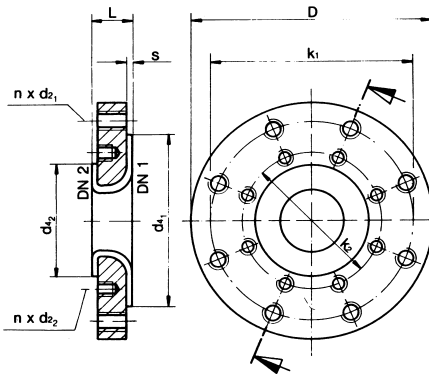
Type A: With clearance holes for larger nominal diameters
 Type B: With threaded holes for both nominal diameters

Type C: With threaded holes, holes on small diameter side are not straddled

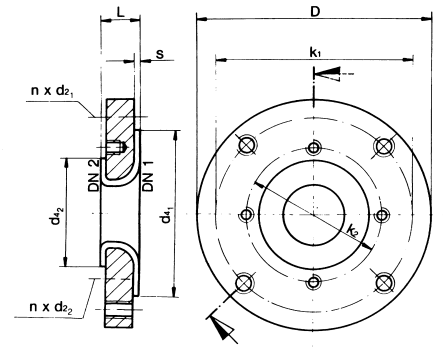
Connections to diameters of DN 32, DN 65 and DN 125, as well as larger dimensions and diameter combinations not stated here, can also be supplied on request.



↑ Type A



↑ Type B



↑ Type C

Lined reducing flanges

DN1	DN2	L	PTFE		Metal		Weight	Type				
			s	d4 - 1	d4 - 2	D			k1	k2	[approx. kg]	
[mm]	[mm]	[mm]	[mm]	[mm]	[mm]	[mm]	[mm]	[mm]	[mm]	[mm]	[mm]	[mm]
25	20	35	3	68	58	115	85	4 x M 12	75	4 x M 12	3.0	C
40	25	35	3	88	68	150	110	4 x M 16	85	4 x M 12	3.9	C
50	25	35	3	102	68	165	125	4 x M 16	85	4 x M 12	4.9	B
	40	35	4	102	88	165	125	4 x M 16	110	4 x M 16	4.5	C
80	25	35	3	138	68	200	160	8 x 18	85	4 x M 12	7.0	A
	40	35	4	138	102	200	160	8 x M 16	110	4 x M 16	6.5	B
	50	35	4	138	102	200	160	8 x M 16	125	4 x M 16	6.4	B
100	25	45	3	158	68	220	180	8 x 18	85	4 x M 12	11	A
	40	45	4	158	88	220	180	8 x 18	110	4 x M 16	11	B
	50	45	4	158	102	220	180	8 x M 16	125	4 x M 16	11	B
	80	45	4	158	138	220	180	8 x M 16	160	8 x M 16	10	C
150	25	45	3	212	68	285	240	8 x 22	85	4 x M 12	19	A
	40	45	4	212	88	285	240	8 x 22	110	4 x M 16	18	A
	50	45	4	212	88	285	240	8 x 22	125	4 x M 16	17	A
	80	45	5	212	138	285	240	8 x 22	160	8 x M 16	16	A
200	100	45	5	212	158	285	240	8 x M 20	180	8 x M 16	15	B
	40	45	4	268	88	340	295	8 x 22	110	4 x M 16	28	A
	50	45	4	268	102	340	295	8 x 22	125	4 x M 16	27	A
	80	45	5	268	138	340	295	8 x 22	160	8 x M 16	25	A
	100	45	5	268	158	340	295	8 x 22	180	8 x M 16	23	A
	150	45	5	268	212	340	295	8 x M 20	240	8 x M 20	21	B

* not included in DIN 2848. Subject to technical changes.

Lined reducing flanges

DN1	DN 2	L	PTFE					Metal		Weight	Type	
			s	d4 - 1	d4 - 2	D	k1	k2	n x d2 - 2			
[mm]	[mm]	[mm]	[mm]	[mm]	[mm]	[mm]	[mm]	n x d2 - 1	[mm]	n x d2 - 2	[approx. kg]	
250	50	45	4	320	102	395	350	12 x M 22	125	4 x M 16	38	A
	80	45	5	320	138	395	350	12 x 22	160	8 x M16	36	A
	100	45	5	320	158	395	350	12 x 22	180	8 x M 16	34	A
	150	45	5	320	212	395	350	12 x 22	240	8 x M 20	31	A
	200	45	5	320	268	395	350	12 x M 20	295	8 x M 20	29	B
300	50	50	4	370	102	445	400	12 x 22	125	4 x M 16	60	A
	80	50	5	370	138	445	400	12 x 22	160	8 x M 16	58	A
	100	50	5	370	158	445	400	12 x 22	180	8 x M 16	56	A
	150	50	5	370	212	445	400	12 x 22	240	8 x M 20	51	A
	200	50	5	370	268	445	400	12 x 22	295	8 x M 20	46	A
	250	50	5	370	320	445	400	12 x M 20	350	12 x M 20	41	B
350	100	50	5	430	158	505	460	16 x 22	180	8 x M 16	62	A
	150	50	5	430	212	505	460	16 x 22	240	8 x M 20	59	A
	200	50	5	430	268	505	460	16 x 22	295	8 x M 20	55	A
	250	50	5	430	320	505	460	16 x 22	350	12 x M 20	50	A
	300	50	5	430	370	505	460	16 x M 20	400	12 x M 20	43	B
400	150	50	5	482	212	565	515	16 x 26	240	8 x M 20	76	A
	200	50	5	482	268	565	515	16 x 26	295	8 x M 20	72	A
	250	50	5	482	320	565	515	16 x 26	350	12 x M 20	66	A
	300	50	5	482	370	565	515	16 x 26	400	12 x M 20	59	A
	350	50	5	482	430	565	515	16 x M 24	460	16 x M 20	51	B
500	150	50	5	585	212	670	620	20 x 26	240	8 x M 20	136	A
	200	50	5	585	268	670	620	20 x 26	295	8 x M 20	131	A
	250	50	5	585	320	670	620	20 x 26	350	12 x M 20	124	A
	300	50	5	585	370	670	620	20 x 26	400	12 x M 20	115	A
	350	50	5	585	430	670	620	20 x 26	460	16 x M 20	105	A
	400	50	5	585	482	670	620	20 x 26	515	16 x M 24	94	A
600*	200	50	5	685	268	780	725	20 x 30	295	8 x M 20	182	A
	250	50	5	685	320	780	725	20 x 30	350	12 x M 20	175	A
	300	50	5	685	370	780	725	20 x 30	400	12 x M 20	166	A
	350	50	5	685	430	780	725	20 x 30	460	16 x M 20	156	A
	400	50	5	685	482	780	725	20 x 30	515	16 x M 24	145	A
	500	50	5	685	585	780	725	20 x 30	620	20 x M 24	117	A

* not included in DIN 2848. Subject to technical changes.

POLYFLURON®

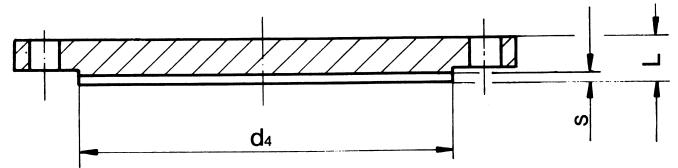
PTFE lined blind flanges

The POLYFLURON PTFE lining is fixed to the steel surface to prevent it from separating during transport and assembly. Sealing surfaces meet DIN EN 1092-1. Dimensions meet DIN 2848.

Lined blind flanges

DN	L	PTFE	Weight
[mm]	[mm]	^s [mm]	[approx. kg]
25	19	3	1.3
32	19	3	1.9
40	19	3	2.2
50	21	3	2.9
65	21	3	3.8
80	23	3	5.8
100	23	3	5.8
125	26	4	8.6
150	26	4	11
200	28	4	17
250	30	5	25
300	31	5	32
350	31	5	42
400	31	5	51
500	33	5	78
600*	33	5	95

* not included in DIN 2848. Subject to technical changes.





Graphite Materials & Systems | SGL CARBON GmbH
Sales Europe/Middle East/Africa | pt-europe@sglcarbon.com
Sales Americas | pt-americas@sglcarbon.com
Sales Asia/Pacific | pt-asia@sglcarbon.com
www.sglprocesstechnology.com

TIS Lined Pipe DIN.00

05 2020/0 E Printed in Germany

®registered trademarks of SGL Carbon SE

The data contained herein represent the current state of our product knowledge and are intended to provide general information on our products and their application spectra. In view of the variety and large number of application possibilities, these data should be regarded merely as general information that gives no guarantee of any specific properties and/or suitability of those products for any particular application. Consequently, when ordering a product, please contact us for specific information on the properties required for the application concerned. On request, our technical service will supply a profile of characteristics for your specific application requirements without delay.